

www.ersatzteil-service.de

www.ersatzteilplan.de

Serie: dal n. 910945

Stampato n. P5090019

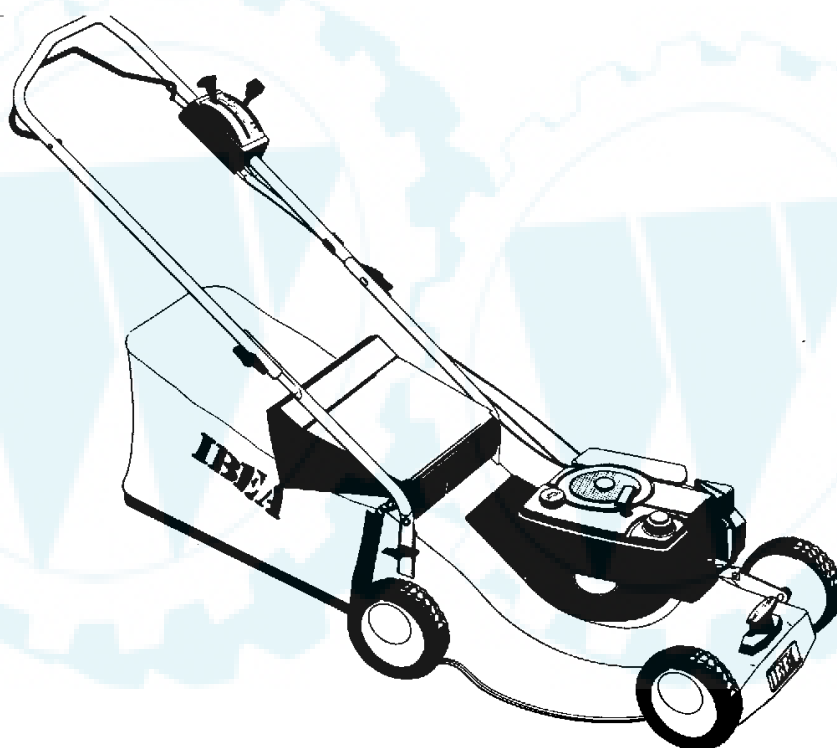
IBEA

LISTA RICAMBI

SPARE PART LIST

ERSATZTEILLISTE

LISTE DES PIECES DE RECHANGE

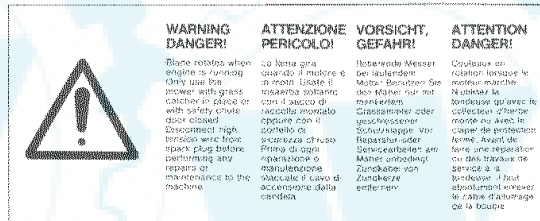
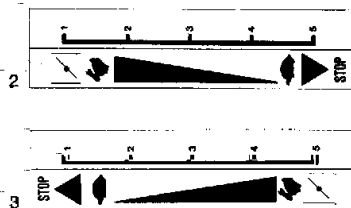


TOSAERBA
SERIE 470



mod. **ENDURO**
mod. **COUNTRY**
mod. **VARIOMAT**

Ihr Ersatzteilspezialist im Internet

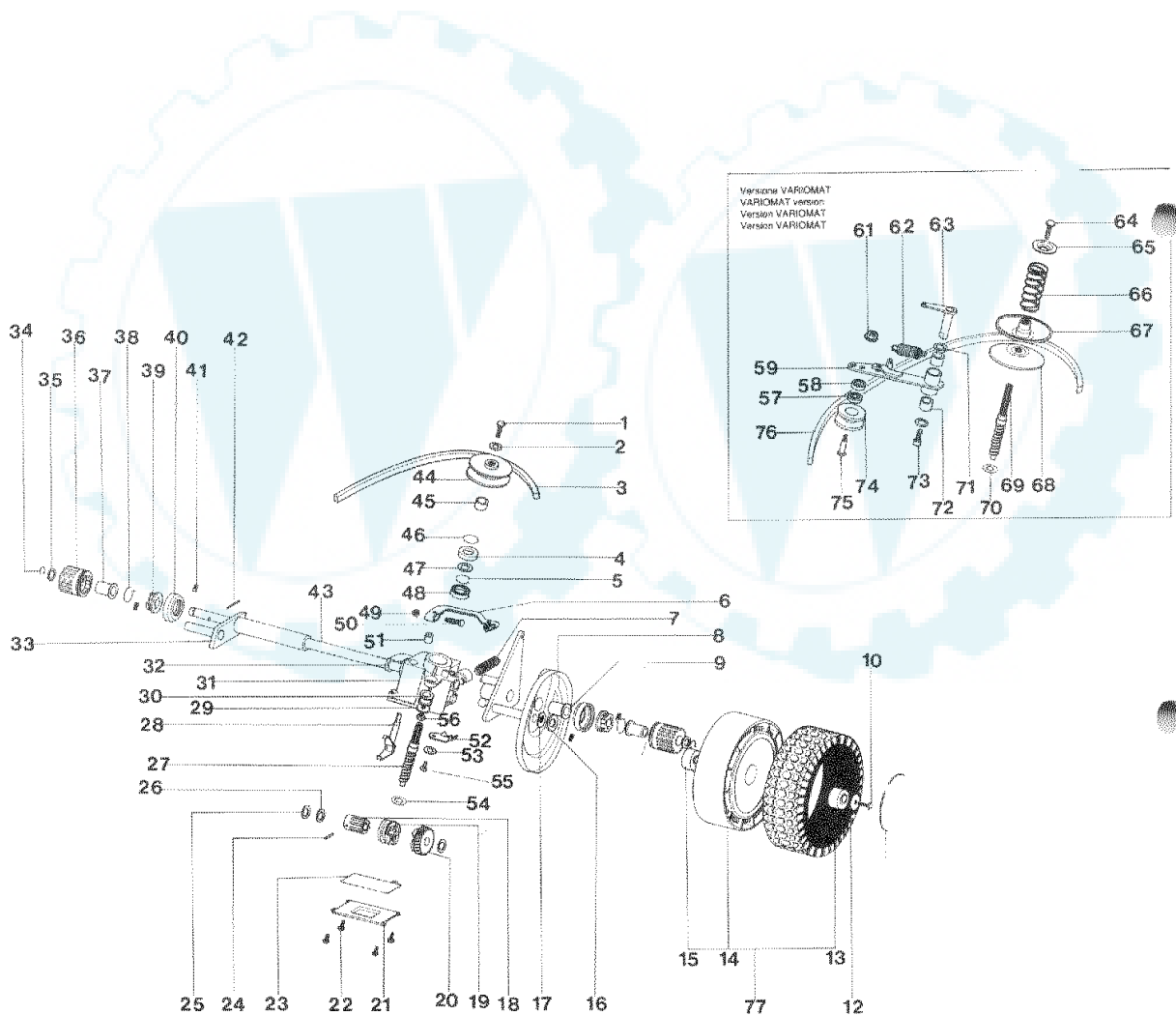


REF. N°	PART. N°	QTY	DESCRIZIONE	DESCRIPTION	DESCRIPTION	BESCHREIBUNG
1	P5140101	1	DECALCO	LABEL	MARQUAGE	AUFKLEBER
2	P5140105	1	DECALCO	LABEL	MARQUAGE	AUFKLEBER
3	P5140104	1	DECALCO	LABEL	MARQUAGE	AUFKLEBER
4	P5140102	1	DECALCO	LABEL	MARQUAGE	AUFKLEBER
5	P5140440	1	DECALCO	LABEL	MARQUAGE	AUFKLEBER
6	P5140460	1	DECALCO	LABEL	MARQUAGE	AUFKLEBER
7	P5140480	1	DECALCO	LABEL	MARQUAGE	AUFKLEBER
8	P5140516	1	DECALCO	LABEL	MARQUAGE	AUFKLEBER
9	P5140515	1	DECALCO	LABEL	MARQUAGE	AUFKLEBER
10	P5140503	1	DECALCO	LABEL	MARQUAGE	AUFKLEBER
11	P5140109	1	DECALCO	LABEL	MARQUAGE	AUFKLEBER
12	P5140110	1	DECALCO	LABEL	MARQUAGE	AUFKLEBER
-	P5190011	1	MANUALE ISTRUZIONI	INSTRUCTION MANUAL	MODE D'EMPLOI	BEDIENUNGSANLEITUNG
-	P5110008	1	CHIAVE CANDELA 21	KEY 21	CLEF 21	SCHLÜSSEL 21
-	P2020138	1	TARGHETTA IBEA	IBEA PLAQUE	IBEA PLAQUE	IBEA AUFKLEBER

REF. N°	PART. N°	QTY	DESCRIZIONE	DESCRIPTION	DESCRIPTION	BESCHREIBUNG
2	P2020104		SCIVOLO ERBA	DEFLECTOR	DÉFLECTEUR	LEITBLECH
3	P2020148		DEFLETTORE	SHIELD	PLAQUE DE PROTECTION	SCHUTZ
4	P5050002		CAVO	CABLE	CABLE	KABEL
5	P3020014	1	MOLLA	SPRING	RESSORT	FEDER
6	P1050011	3	DADO	NUT	ECROU	MUTTER
7		1	MOTORE	ENGINE	MOTEUR	MOTOR
8	P02068880	1	STEGOLA INF. DX	RIGHT LOWER HANDLEBAR	GUIDON INF. DROITE	HOLMUNTERTEIL R.
9			VEDI TAV. 4/5/6/7	SEE TABLE 4/5/6/7	VOIR TABLE 4/5/6/7	SIEHE TABELLE 4/5/6/7
10	1050002A1	2	DADO	NUT	ECROU	MUTTER
11	P1010070	2	VITE	SCREW	VIS	SCHRAUBE
12	P2020051	1	CARTER	BELT GUARD	PROTECTION	RIEMENABDECKUNG
13	P01027080	1	ASTINA	SHAFT	ARBRE	ACHSE
14	P3020011	1	MOLLA	SPRING	RESSORT	FEDER
15	P1060004	2	STARLOCK	STARLOCK	STARLOCK	STARLOCK
16	P1010064	2	VITE	SCREW	VIS	SCHRAUBE
17	1010026A1	2	VITE	SCREW	VIS	SCHRAUBE
18	PC2070455	1	STEGOLA INF. SX	LEFT LOWER HANDLEBAR	GUIDON INF. GAUCHE	HOLMUNTERTEIL L.
19	2020050A1	4	GALLETTO	KNOB	POIGNÉE	MUTTER
20	P2020058	1	PORTELLO	SHIELD	PROTECTION	KLAPPE
21	P2020053		COPERCHIO	COVER	COUVERCLE	DECKEL
22	P4080016	2	PIASTRINA	PLATE	PLAQUE	PLATTE
23	1060002A1	2	STARLOCK	STARLOCK	STARLOCK	STARLOCK
24	3040010A1	2	PERNO	BOLT	BOULON	STIFT
25	P1010073	4	VITE	SCREW	VIS	SCHRAUBE
26	P02028155	1	ASTA	SHAFT	ARBRE	ACHSE
27	P2020062	2	COPRIMOZZO	COVER	COUVERCLE	DECKEL
28	1010018A1	2	VITE	SCREW	VIS	SCHRAUBE
29	1020007A1	2	RONDELLA	WASHER	RONDELLE	SCHIBE
30	P2020078	2	COPERTONE	TYRE	PNEU	REIFEN
31	P2020079	2	CERCHIO	WHEEL HUB	JANTE	FELGE
32	P3030013	4	CUSCINETTO	BEARING	PALIER	LAGER
33	P2020071	2	COPRIRUOTA	WHEEL COVER	PROTECTION	ABDECKUNG
34	P1010050	1	VITE LAMA	BLADE SCREW	VIS DE COUTEAU	MESSERSCHRAUBE
35	P1020067		RONDELLA SCHNORR	WASHER	RONDELLE	SCHIBE
36	1110002A1		RONDELLA	WASHER	RONDELLE	SCHIBE
37	P3040101		BUSSOLA LAMA	BLADE BUSHING	DOUILLE DE COUTEAU	MESSERBUECHSE
38	P2020088	2	DISTANZIALE	SPACER	DOUILLE	ABSTANDSSTUECK
39	P1020050	2	RONDELLA ELASTICA	SPRING WASHER	RONDELLE ÉLAST.	FEDERSCHIBE
40	P00030380		ASSALE ANT.	FRONT AXLE	ESSIEU ANT.	ACHSE
41	P1090003		CHIAVETTA	KEY	CLAVETTE	SCHLUESSEL
42	P4080015		PIASTRINA	PLATE	PLAQUE	PLATTE
43	P1010018		VITE	SCREW	VIS	SCHRAUBE
44	1020007A1		RONDELLA	WASHER	RONDELLE	SCHIBE
45	P2020055		CHIOCCIOLA	NUT	ECROU	MUTTER
46	P1010073	4	VITE	SCREW	VIS	SCHRAUBE
47	1020010A1		SPESSORE	WASHER	RONDELLE	SCHIBE
48	P1070007		SEEGER	CIRCLIP	SEEGER	SEEGER
49	P3030011		CUSCINETTO	BEARING	PALIER	LAGER
50	P1010097	2	VITE 8x75 (QUANTUM)	SCREW 8x75 (QUANTUM)	VIS 8x75 (QUANTUM)	SCHRAUBE 8x75 (QUANTUM)
51	P1010098		VITE 8x100 (QUANTUM)	SCREW 8x100 (QUANTUM)	VIS 8x100 (QUANTUM)	SCHRAUBE 8x100 (QUANTUM)
52	P1010097	3	VITE 8x75 (TECNA)	SCREW 8x75 (TECNA)	VIS 8x75 (TECNA)	SCHRAUBE 8x75 (TECNA)
53	P4060010		MOLLA	SPRING	RESSORT	FEDER
54	P02005180		SCOCCA	DECK	CHASSIS	GEHAEUSE
55	P00040080		MANGLIA	LEVER	LEVIER	HEBEL
56	P1010071		VITE	SCREW	VIS	SCHRAUBE
57	P3160032		SACCO	BAG	SAC RAMASSE GAZON	GRASFANGSACK
58	P01070943		RICCIOLO	ROPE GUIDE	GUIDE-FIL	SEILFUEHRUNG
59	P00011280		TELAIO	FRAME	MONTURE	GESTELL
60	P1010081		VITE	SCREW	VIS	SCHRAUBE
61	1020007A1	1	RONDELLA	WASHER	RONDELLE	SCHIBE
62	1020014A1	3	RONDELLA	WASHER	RONDELLE	SCHIBE
63	P4050018	1	LAMA	BLADE	COUTEAU	MESSER
64	P00015581	1	RUOTA COMPLETA	WHEEL ASSY.	ROUE COMPL.	RAD KOMPL.
65	P00011180		CESTELLO COMPLETO	GRASS BAG COMPL.	SAC RAMASSE GAZON COMPL.	GRASFANGSACK KOMPL.

Tav. 2

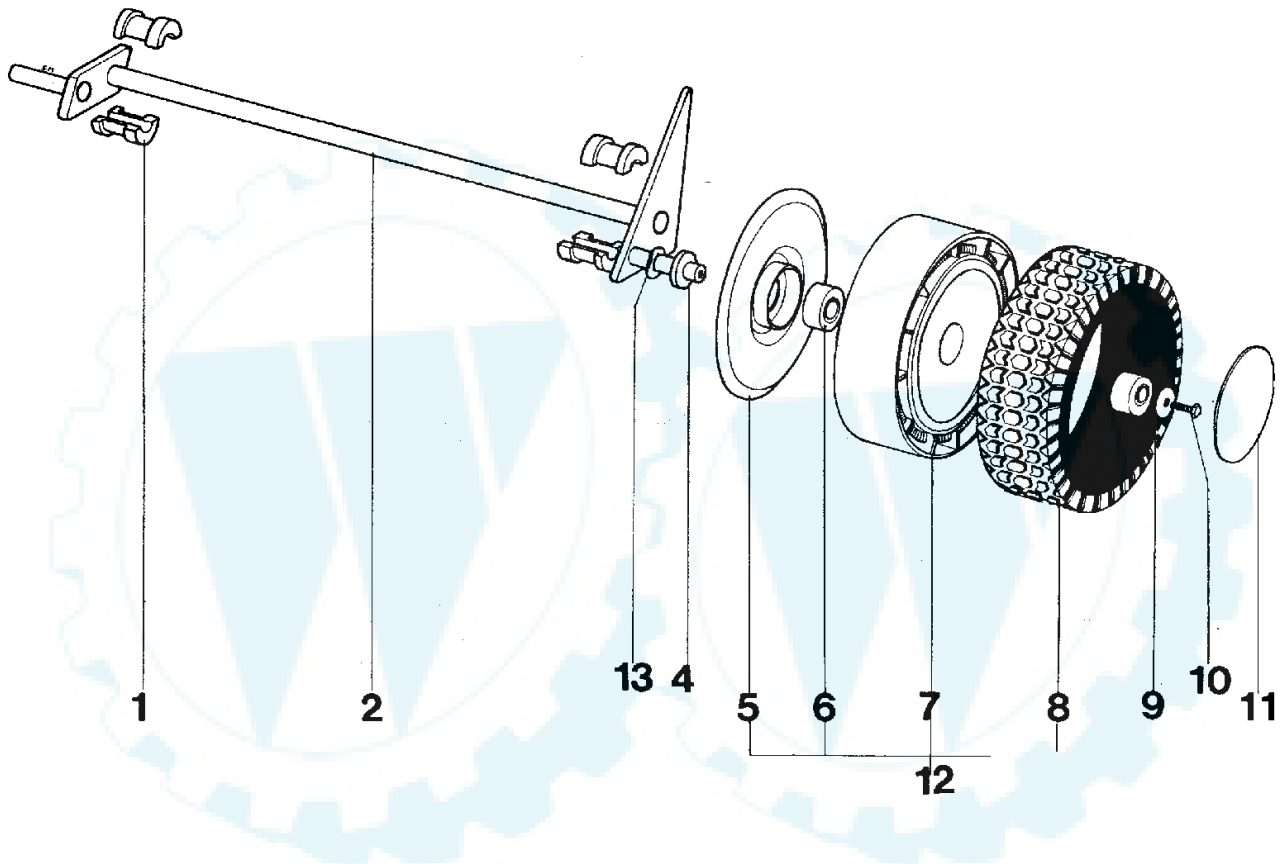
Vista assale posteriore e riduttore COUNTRY-VARIOMAT
Rear axle and gear box COUNTRY-VARIOMAT
Essieu arrière et transmission COUNTRY-VARIOMAT
Hinterachse und Fahrgetriebe COUNTRY-VARIOMAT



REF. N°	PART. N°	QTY	DESCRIZIONE	DESCRIPTION	DESCRIPTION	BESCHREIBUNG
1	1010018A1	1	VITE	SCREW	VIS	SCHRAUBE
2	1020007A1	1	RONDELLA	WASHER	RONDELLE	SCHLEIBE
3	P3010022	1	CINGHIA	BELT	COURROIE	RIEMEN
4	P3170010	1	PARAOLIO	OIL SEAL	JOINT D'ARBRE	WFLENDICHTRING
5	P1070004	1	SEEGER	CIRCLIP	SEEGER	WFLENDICHTRING
6	P4070011	1	LEVA	LEVER	LEVIER	HEBEL
7	P3020010	1	MOLLA	SPRING	RESSORT	FEDER
8	P4030011	2	COPRIRUOTA	WHEEL COVER	PROTECTION	ABDECKUNG
9	P2020070	2	BUSSOLA	BUSHING	DOUILLE	BUECHSE
10	1010018A1	2	VITE	SCREW	VIS	SCHRAUBE
11	P2020062	2	COPRIMOZZO	COVER	COUVERCLE	DECKEL
12	1020007A1	2	RONDELLA	WASHER	RONDELLE	SCHLEIBE
13	P2020078	2	COPERTONE	TYRE	PNEU	REIFEN
14	P2020081	2	CERCHIO	WHEEL HUB	JANTE	FELGE
15	P3030013	4	CUSCINETTO	BEARING	PALIER	LAGER
16	P2020088	2	DISTANZIALE	SPACER	DOUILLE	ABSTANDSSTUECK
17	P1020050	2	RONDELLA ELASTICA	SPRING WASHER	RONDELLE ÉLAST.	FEDERSCHLEIBE
18	P3050030	1	BUSSOLA SCANALATA	BUSHING	DOUILLE CANNÉE	KEILHUELSE
19	P00038099	1	INNESTO	SELECTOR COLLAR	MANCHON	SCHALTBUECHSE
20	P00038199	1	CORONA	WORM WHEEL	ROUE POUR VIS S. FIN	SCHNECKENRAD
21	P4110001	1	COPERCHIO	COVER	COUVERCLE	DECKEL
22	P1010076	4	VITE	SCREW	VIS	SCHRAUBE
23	P3170014	1	OR	O RING	JOINT TORIQUE	GUMMIRING
24	P1080007	1	SPINA ELASTICA	PIN	GOUPILE ÉLAST.	STIFT
25	1020020A1	2	SPESSORE	WASHER	RONDELLE	SCHLEIBE
26	P1020051	1	SPESSORE	WASHER	RONDELLE	SCHLEIBE
27	P3040042	1	VITE SENZA FINE	WORM GEAR	VIS S. FIN	SCHNECKE
28	P3040041	1	FORCELLA INNESTO	FORK	FOURCHE	GABEL
29	P1020054	1	RONDELLA	WASHER	RONDELLE	SCHLEIBE
30	P2040010	1	GOMMINO	RUBBER TUBE	TUBE DE PROTECTION	SCHUTZHUELLE
31	P00039199	1	SCATOLA	HOUSING	BOITE	SCHALE
32	P3170011	2	PARAOLIO	OIL SEAL	JOINT D'ARBRE	WELLENDICHTRING
33	P00030081	1	ASSALE POST.	REAR AXLE	ESSIEU POST.	ACHSE
34	1070001A1	2	SEEGER	CIRCLIP	SEEGER	ACHSE
35	1020020A1	2	SPESSORE	WASHER	RONDELLE	SCHLEIBE
36	P3050031	2	PIGNONE	PINION	PIGNON	SCHLEIBE
37	P2020059	2	BUSSOLA	BUSHING	DOUILLE	RITZEL
38	P3020012	2	MOLLA	SPRING	RESSORT	BUECHSE
39	P2100001	2	CRICCHETTO	DRIVER	CLIQUET	FEDER
40	P2020060	2	COPRIPIGNONE	CAGE	CAGE	MITNEHMER
41	P2110001	4	SALTERELLO	CAM	CLIQUET	KAEFIG
42	P1080004	2	SPINA	PIN	GOUPILE	NOCKEN
43	P3040047	1	ALBERO	SHAFT	ARBRE	STIFT
44	P3040048	1	PULEGGIA	PULLEY	POULIE	WELLE
45	P3040049	1	DISTANZIALE	SPACER	DOUILLE	RIEMENSCHLEIBE
46	P3170013	1	OR	O RING	JOINT TORIQUE	ABSTANDSSTUECK
47	P1020051	2	RONDELLA	WASHER	RONDELLE	GUMMIRING
48	P3030010	1	CUSCINETTO	BEARING	PALIER	SCHLEIBE
49	1050003A1	1	DADO	NUT	ECROU	LAGER
50	P1010075	1	VITE	SCREW	VIS	MUTTER
51	P3170012	1	PARAOLIO	OIL SEAL	JOINT D'ARBRE	SCHRAUBE
52	P4030010	1	COPERCHIETTO MOLLA	COVER	COUVERCLE	WELLENDICHTRING
53	P1020076	1	RONDELLA	WASHER	RONDELLE	DECKEL
54	P1020053	1	SPESSORE	WASHER	RONDELLE	SCHLEIBE
55	P1010076	1	VITE	SCREW	VIS	SCHLEIBE
56	P1010073	1	VITE	SCREW	VIS	SCHRAUBE
57	P3030014	1	CUSCINETTO	BEARING	PALIER	SCHRAUBE
58	P3040064	1	DISTANZIALE	SPACER	DOUILLE	LAGER
59	P4010040	1	TENDICINGHIA	BELT TENSIONER	TENDEUR POUR COURROIE	ABSTANDSSTUECK
61	P1050011	1	DADO	NUT	ECROU	RIEMENSCHLEIBE
62	P3020014	1	MOLLA	SPRING	RESSORT	MUTTER
63	P4010041	1	PERNO	BOLT	BOULON	FEDER
64	P1010066	1	VITE	SCREW	VIS	STIFT
65	P4010044	1	RONDELLA PER MOLLA	WASHER	RONDELLE	SCHRAUBE
66	P3020015	1	MOLLA	SPRING	RESSORT	SCHLEIBE
67	P3040050	1	SEMI PULEGGIA SUP.	UPPER HALF PULLEY	SEMI POULIE SUP.	FEDER
68	P3040051	1	SEMI PULEGGIA INF.	LOWER HALF PULLEY	SEMI POULIE INF.	GETEILTE RIEMENSCHLEIBE
69	P3040043	1	VITE SENZA FINE	WORM GEAR	VIS S. FIN	GETEILTE RIEMENSCHLEIBE
70	P1020053	1	RONDELLA	WASHER	RONDELLE	SCHNECKE
71	1020020A1	2	RONDELLA	WASHER	RONDELLE	SCHLEIBE
72	1030002A1	2	BUSSOLA	BUSHING	DOUILLE	SCHLEIBE
73	P1010074	1	VITE	SCREW	VIS	BUECHSE
74	P3040063	1	PULEGGIA	PULLEY	POULIE	SCHRAUBE
75	P3040068	1	PERNO	BOLT	BOULON	RIEMENSCHLEIBE
76	P3010011	1	CINGHIA	BELT	COURROIE	STIFT
77	P00015281	1	RUOTA COMPLETA	WHEEL ASSY.	ROUE COMPL.	RIEMEN
*	P00078684	1	RIDUTTORE x MONOMARCIA COMPL.	GEAR BOX ASSY. 1 SPEED COMPL.	RÉDUCTEUR COMPL. 1 VITESSE	RAD KOMPL. UNTERSETZUNGSGETRIEBE 1 GANG
*	P00078682	1	RIDUTTORE x VARIOMAT COMPL.	GEAR BOX ASSY. x VARIOMAT	RÉDUCTEUR COMPL. x VARIOMAT	UNTERSETZUNGSGETRIEBE x VARIOMAT

Tav. 3

Vista assale posteriore ENDURO
 Rear axle ENDURO
 Essieu arrière ENDURO
 Hinterachse ENDURO



REF. N°	PART. N°	QTY	DESCRIZIONE	DESCRIPTION	DESCRIPTION	BESCHREIBUNG
1	P2020056	4	SEMIBUSSOLA	HALF BUSHING	SEMI DOUILLE	GETEILTE BUECHSE
2	P00030083	1	ASSALE POST.	REAR AXLE	ESSEIU POST.	ACHSE
4	P2020088	2	DISTANZIALE	SPACER	DOUILLE	ABSTANDSSTUECK
5	P2020071	2	COPRIRUOTA	WHEEL COVER	PROTECTION	ABDECKUNG
6	P3030013	4	CUSCINETTO	BEARING	PALIER	LAGER
7	P2020079	2	CERCHIO	WHEEL HUB	JANTE	FELGE
8	P2020078	2	COPERTONE	TYRE	PNEU	REIFEN
9	1020007A1	2	RONDELLA	WASHER	RONDELLE	SCHIBE
10	1010018A1	2	VITE	SCREW	VIS	SCHRAUBE
11	P2020062	2	COPRIMOZZO	COVER	COUVERCLE	DECKEL
12	P00015181	1	RUOTA POST. COMPL.	REAR WHEEL ASSY.	ROUE POST. COMPL.	RAD KOMPL.
13	P1020050	2	RONDELLA ELAST.	SPRING WASHER	RONDELLE ÉLAST.	FEDERSCHIBE

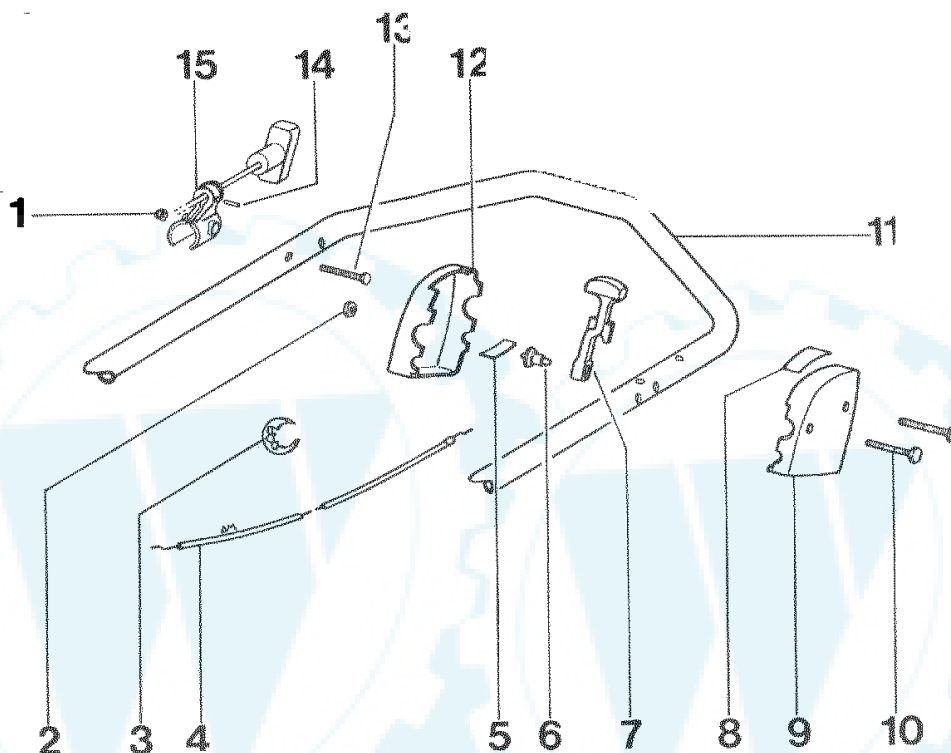
Tav. 4

Vista stegola superiore e comandi ENDURO

Upper handle and controls ENDURO

Mancheron partie supérieure et éléments de commande ENDURO

Lenkeroberteil und Bedienungselemente ENDURO



REF. N°	PART. N°	QTY	DESCRIZIONE	DESCRIPTION	DESCRIPTION	BESCHREIBUNG
1	1050002A1	1	DADO	NUT	ECROU	MUTTER
2	1050003A1	2	DADO	NUT	ECROU	MUTTER
3	P2020080	1	FERMA CAVO	CLIP	CLIP	HALTER
4	P5020032	1	CAVO ACCELERATORE x B&S QUANTUM 4721	THROTTLE CABLE x B&S QUANTUM 4721	CABLE DE GAZ x B&S QUANTUM 4721	GASHEBEL x B&S QUANTUM 4721
4	P5020024	1	CAVO ACCELERATORE x B&S 2 TEMPI 4702	THROTTLE CABLE x B&S 2 STROKE 4702	CABLE DE GAZ x B&S 2 TEMPS 4702	GASHEBEL x B&S 2 TAKT 4702
5	P4010059	1	MOLLA	SPRING	RESSORT	FEDER
6	P2020108	1	PERNO	BOLT	BOULON	STIFT
7	P00065099	1	LEVA	LEVER	LEVIER	HEBEL
8	P5140515	1	DECALCO x B&S QUANTUM	DECAL x B&S QUANTUM	MARQUAGE x B&S QUANTUM	AUFKLEBER x B&S QUANTUM
8	P5140516	1	DECALCO x B&S 2 TEMPI	DECAL x B&S 2 TEMPI	MARQUAGE x B&S 2 TEMPI	AUFKLEBER x B&S 2 TEMPI
9	P2020107	1	SEMI SCATOLA SX	HOUSING LEFT	BOITE GAUCHE	SCHALE L.
10	P1010102	2	VITE	SCREW	VIS	SCHRAUBE
11	P02070143	1	STEGOLA SUP.	UPPER HANDLEBAR	GUIDON SUP.	OB. FUEHRUNGSHOLM
12	P2020106	1	SEMI SCATOLA DX	HOUSING RIGHT	BOITE DROITE	SCHALE R.
13	101002A1	1	VITE	SCREW	VIS	SCHRAUBE
14	P1080008	1	SPINA	PIN	GOUPILLE	STIFT
15	P00064599	1	SUPPORTO	SUPPORT	SUPPORT	HALTER
*	P00035099	1	SCATOLA ACC. COMPL.	THROTTLE ASSY.	BOITE DE GAZ COMPL.	GASHEBEL KOMPL.

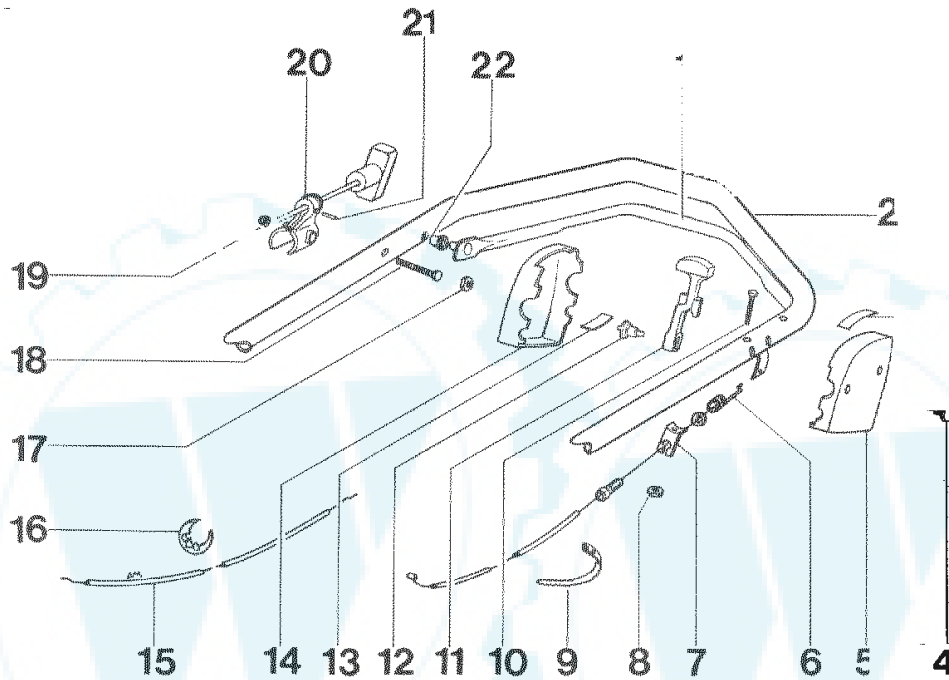
Tav. 5

Vista stegola superiore e comandi COUNTRY

Upper handle and controls COUNTRY

Mancheron partie supérieur et éléments de commande COUNTRY

Lenkeroberteil und Bedienungselemente COUNTRY



REF N°	PART. N°	QTY	DESCRIZIONE	DESCRIPTION	DESCRIPTION	BESCHREIBUNG
1	P02042181		MANIGLIA TRAZIONE	TRACTION LEVER	LEVIER DE TRACTION	ANTRIEBSHEBEL
2	P02070143	1	STEGOLA SUPERIORE	UPPER HANDLEBAR	GUIDON SUP.	OB. FUEHRUNGSHOLM
3	P5140515	1	DECALCO	DECAL	MARQUAGE	AUFKLEBER
3	P5140516	1	DECALCO	DECAL	MARQUAGE	AUFKLEBER
4	P1010102	2	VITE	SCREW	VIS	SCHRAUBE
5	P2020107	1	SEMI SCATOLA SX	HOUSING LEFT	BOITE GAUCHE	SCHALE L.
6	P5010029		CAVO TRAZIONE	TRACTION CABLE	CABLE DE TRACTION	ANTRIEBSKABEL
7	P4010060		PIASTRINA	PLATE	PLAQUE	PLATTE
8	1050003A1		DADO	NUT	ECROU	MUTTER
9	5040001A1		FASCETTA	CLAMP	BRIDE	RAPPBAND
10	P1010078		VITE	SCREW	VIS	SCHRAUBE
11	P00065099		LEVA	LEVER	LEVIER	HEBEL
12	P2020108	1	PERNO	BOLT	BOULON	STIFT
13	P4010059	1	MOLLA	SPRING	RESSORT	FEDER
14	P2020106	1	SEMI SCATOLA DX	HOUSING RIGHT	BOITE DROITE	SCHALE R.
15	P5020032	1	CAVO ACC. x 4727	THROTTLE CABLE x 4727	CABLE DE GAZ x 4727	GASHEBEL x 4727
16	P2020080	1	FERMA CAVO	CLIP	CLIP	HALTER
17	1050003A1	2	DADO	NUT	ECROU	MUTTER
18	1010002A1	2	VITE	SCREW	VIS	SCHRAUBE
19	1050002A1	1	DADO	NUT	ECROU	MUTTER
20	P00064599	1	SUPPORTO	SUPPORT	SUPPORT	MUTTER
21	P1080008		SPINA	PIN	GOUILLIE	HALTER
22	P2020153		BUSSOLA	BUSHING	DOUILLE	STIFT
*	P00035099		SCATOLA ACC. COMP.	THROTTLE ASSY.	BOITE DE GAZ COMPI.	GASHEBEL KOMPL.

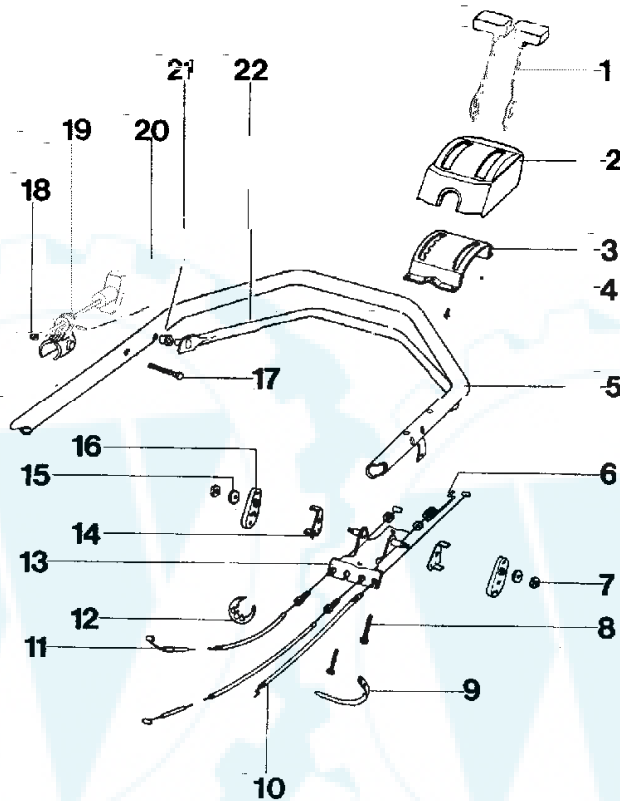
Tav. 6

Vista stegola superiore e comandi VARIOMAT

Upper handle and controls VARIOMAT

Mancheron partie supérieure et éléments de commande VARIOMAT

Lenkeroberteil und Bedienungselemente VARIOMAT



REF. N°	PART N°	QTY	DESCRIZIONE	DESCRIPTION	DESCRIPTION	BESCHREIBUNG
	P00044982	2	LEVA COMANDI	CONTROL LEVER	LEVIER DE COMMANDE	STEUERHEBEL
2	P2020065	1	SCATOLA COMANDI	CONTROL HOUSING	BOITE DE COMMANDE	STEUERGEHAEUSE
3	P4020011	1	PIASTRA	PLATE	PLAQUE	PLATTE
4	P1010061	4	VITE	SCREW	VIS	SCHRAUBE
5	P02070143	1	STEGOLA SUPERIORE	UPPER HANDLEBAR	GUIDON SUP.	OB. FUEHRUNGSHOLM
6	P5010032	1	CAVO TRAZIONE	TRACTION CABLE	CABLE DE TRACTION	ANTRIEBSKABEL
7	P1050007	2	DADO	NUT	ECROU	MUTTER
8	P1010068	2	VITE	SCREW	VIS	SCHRAUBE
9	5040001A1	1	FASCETTA	CLAMP	BRIDE	RAPPBAND
10	P5020035	1	CAVO ACC. x 4717	THROTTLE CABLE x 4717	CABLE DE GAZ x 4717	GASHEBEL x 4717
10	P5020030	1	CAVO ACC. x 4712	THROTTLE CABLE x 4712	CABLE DE GAZ x 4712	GASHEBEL x 4712
11	P5010011	1	CAVO VARIATORE	SPEED VARIATOR CABLE	CABLE DE VITESSE	KABELGESCHWINDIGKEIT
12	P2020080	1	FERMA CAVO	CLIP	CLIP	HALTER
13	P4020010	1	PORTA SCATOLA	SUPPORT	SUPPORT	HALTER
14	P4020012	2	PIASTRINA	PLATE	PLAQUE	PLATTE
15	1020007A1	2	RONDELLA	WASHER	RONDELLE	SCHIBE
16	P2020067	2	GUIDA CAVO	CABLE GUIDE	CABLE GUIDE	KABELFUHRUNG
17	1010002A1	1	VITE	SCREW	VIS	SCHRAUBE
18	1050002A1	1	DADO	NUT	ECROU	MUTTER
19	P00064599	1	SUPPORTO	SUPPORT	SUPPORT	HALTER
20	P1080008	1	SPINA	PIN	GOUPILLE	STIFT
21	P2020153	2	BUSSOLA	BUSHING	DOUILLE	BUECHSE
22	P02042181	1	MANIGLIA TRAZIONE	TRACTION LEVER	LEVIER DE TRACTION	ANTRIEBSHEBEL

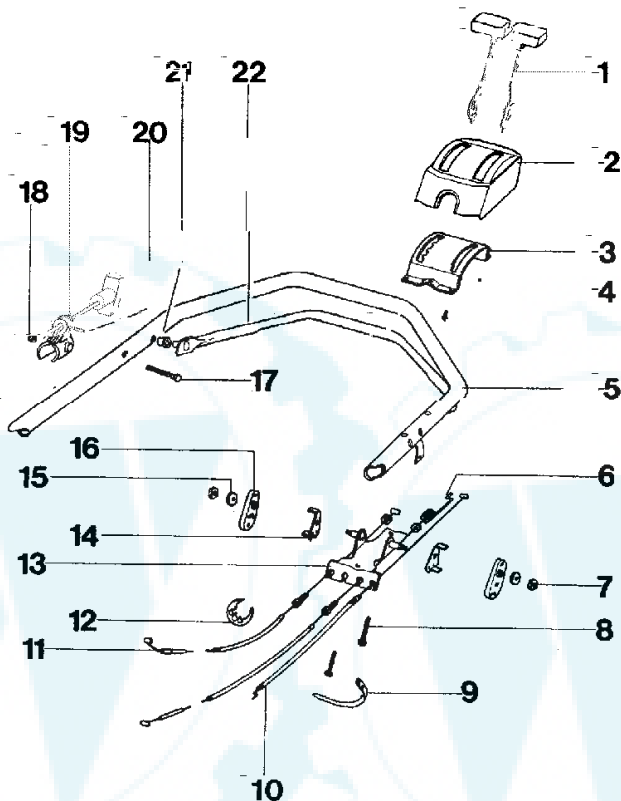
Tav. 6

Vista stegola superiore e comandi VARIOMAT

Upper handle and controls VARIOMAT

Mancheron partie supérieure et éléments de commande VARIOMAT

Lenkeroberteil und Bedienungselemente VARIOMAT



REF. N°	PART N°	QTY	DESCRIZIONE	DESCRIPTION	DESCRIPTION	BESCHREIBUNG
	P00044982	2	LEVA COMANDI	CONTROL LEVER	LEVIER DE COMMANDE	STEUERHEBEL
2	P2020065	1	SCATOLA COMANDI	CONTROL HOUSING	BOITE DE COMMANDE	STEUERGEHAEUSE
3	P4020011	1	PIASTRA	PLATE	PLAQUE	PLATTE
4	P1010061	4	VITE	SCREW	VIS	SCHRAUBE
5	P02070143	1	STEGOLA SUPERIORE	UPPER HANDLEBAR	GUIDON SUP.	OB. FUEHRUNGSHOLM
6	P5010032	1	CAVO TRAZIONE	TRACTION CABLE	CABLE DE TRACTION	ANTRIEBSKABEL
7	P1050007	2	DADO	NUT	ECROU	MUTTER
8	P1010068	2	VITE	SCREW	VIS	SCHRAUBE
9	5040001A1	1	FASCETTA	CLAMP	BRIDE	RAPPBAND
10	P5020035	1	CAVO ACC. x 4717	THROTTLE CABLE x 4717	CABLE DE GAZ x 4717	GASHEBEL x 4717
10	P5020030	1	CAVO ACC. x 4712	THROTTLE CABLE x 4712	CABLE DE GAZ x 4712	GASHEBEL x 4712
11	P5010011	1	CAVO VARIATORE	SPEED VARIATOR CABLE	CABLE DE VITESSE	KABELGESCHWINDIGKEIT
12	P2020080	1	FERMA CAVO	CLIP	CLIP	HALTER
13	P4020010	1	PORTA SCATOLA	SUPPORT	SUPPORT	HALTER
14	P4020012	2	PIASTRINA	PLATE	PLAQUE	PLATTE
15	1020007A1	2	RONDELLA	WASHER	RONDELLE	SCHIBE
16	P2020067	2	GUIDA CAVO	CABLE GUIDE	CABLE GUIDE	KABELFUHRUNG
17	1010002A1	1	VITE	SCREW	VIS	SCHRAUBE
18	1050002A1	1	DADO	NUT	ECROU	MUTTER
19	P00064599	1	SUPPORTO	SUPPORT	SUPPORT	HALTER
20	P1080008	1	SPINA	PIN	GOUPILLE	STIFT
21	P2020153	2	BUSSOLA	BUSHING	DOUILLE	BUECHSE
22	P02042181	1	MANIGLIA TRAZIONE	TRACTION LEVER	LEVIER DE TRACTION	ANTRIEBSHEBEL

Tav. 1

Vista generale ENDURO-COUNTRY-VARIOMAT
Complete machine ENDURO-COUNTRY-VARIOMAT
Vus d'ensemble ENDURO-COUNTRY-VARIOMAT
Gesamtansicht ENDURO-COUNTRY-VARIOMAT

